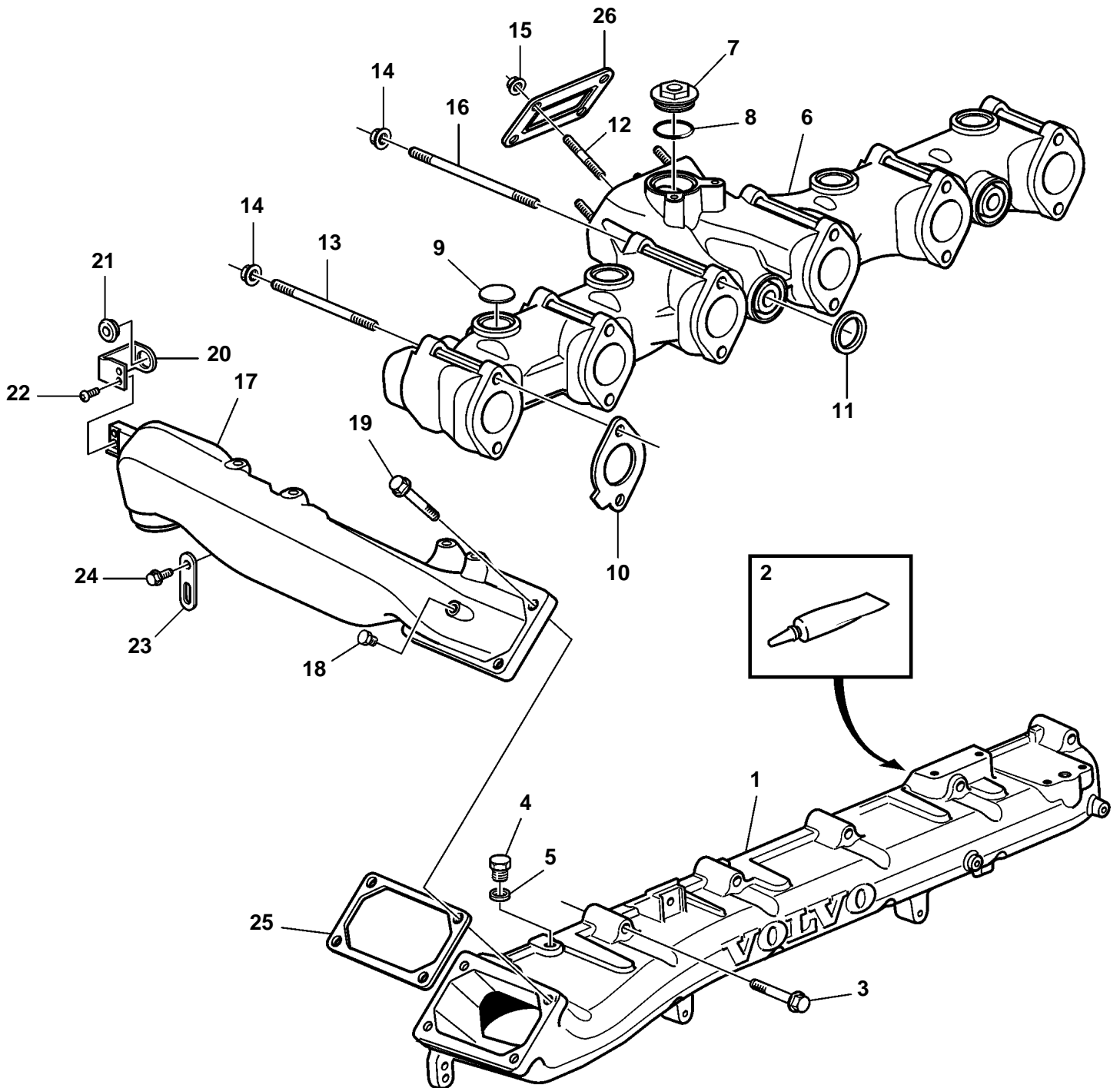


D9A2A MG



21774

D9A2A MG

REF	PART NO.	QTY	DESCRIPTION	NOTES
1	3161342	1	Inlet pipe	
2	1161231	X	Sealant	304ml
	1161277	X	Sealant	20g
3	965180	12	Flange screw	
4	960628	1	Plug	
5	947281	1	Gasket	
6	3838255	1	Exhaust manifold	
7	3807018	1	· Plug	
8	469328	1	· Gasket	
9	968955	13	· Expansion plug	
10	8148172	6	Gasket	
11	469982	2	Sealing ring	
12	977299	4	Stud	
13	953007	8	Stud	
14	971095	12	Nut	
15	471622	4	Nut	
16	948932	4	Stud	
17	3588494	1	Charge air pipe	
18	960628	1	Plug	
19	946470	4	Flange screw	
20	3818093	1	Bracket	
21	673989	1	Rubber bushing	
22	940326	2	Screw	
23	965534	1	Bracket	
24	944926	2	Flange screw	
25	477314	1	Gasket	
26	8194365	1	Gasket	